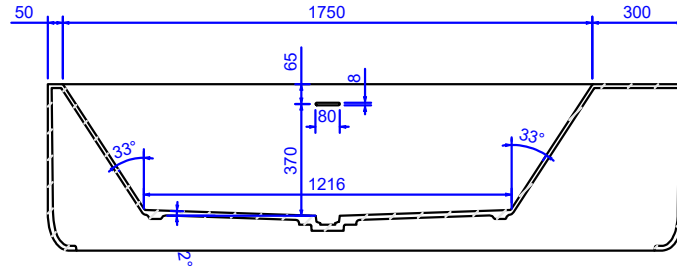
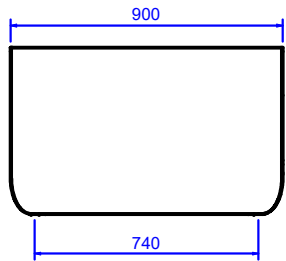
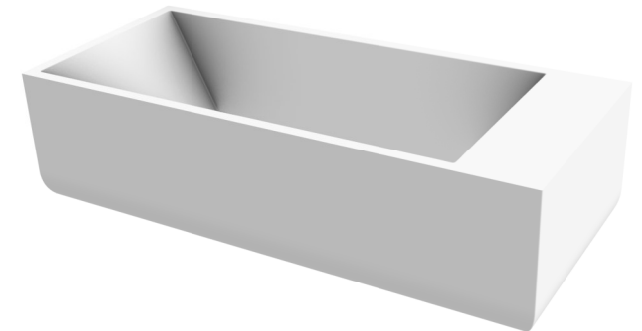
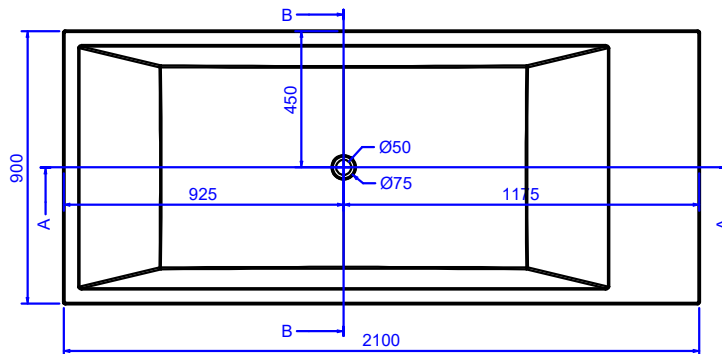
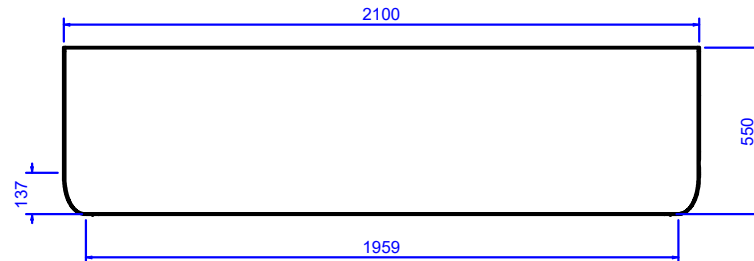



section BB



section AA



|                         |            |   |        |              |
|-------------------------|------------|---|--------|--------------|
| DRAWN<br>Maurizio Amato | 2022-04-01 | <br><b>MONOLITH BATHTUB</b><br>by AQUATICA |        |              |
| CHECKED                 |            |   |        |              |
| QA                      |            | SIZE  | DWG NO | REV          |
| APPROVED                |            | <b>C</b>  |        |              |
|                         |            | SCALE   |        | SHEET 1 OF 1 |